



Stock Code:603656



Hefei Taihe Optoelectronic Technology Co.,Ltd.

Add: Intersection of Yulan Avenue and Fangxing Avenue, Taohua Industrial Park Development Area, Hefei Economic and Technological Development Zone, Anhui, China
Tel:+86 551-65399166 / Export Tel:+86 551-65399015 / Customer Service Center:400—660—9996 / Fax:+86 551-65399188 / E-mail:thsorter@colsort.cn / P.C.230601 / Web: www.colsort.cn
2018.1



INTELLIGENT TRICHROMATIC CCD GRAIN COLOR SORTER

INNOVATE
AND SERVE THE
WORLD



JARVIS system



Wise brain wisdom
control screen



Self-collaborative
sensor network



Holographic
flash camera



Multi-dimension
space center
positioning



Multiple induction
self-adaption
background



Wise brain
strategy



Magnetic intelligence
control pneumatic system

TABLE OF CONTENTS

Enterprise Brief Introduction	01
Product Technical Characteristics	04
Intelligent SDC Series Color Sorter	06
ZERVI Series Color Sorter	08
DC Series Color Sorter	10
Specifications Comparison	14
MV Series Color Sorter For Large Partical Material	16
L Series Belt-type Color Sorter	18
Color Sorting Result	20
Client Application Case	22
After-sales Service	24

ENTERPRISE BRIEF INTRODUCTION

Multi-dimension Intelligent Innovation Horizon

Taiho takes choiceness and homodyne as ultimate goal, and speed and accuracy as dual drive target. During core thinking framework and technical research & development of color sorter, Taihe Optoelectronic Technology break through technical bottleneck of each industry to achieve multi-dimension intelligent refined mode, and synchronously drive multi-dimension space, precise vision and intelligent positioning.

Professional solution for color sorting of Taiho has already integrated into the development and reform of industry. The customers require practical application to manage the best practice results. Taiho is China's leading color sorting system solution and service provider. In the era of technology industry, intelligence is everywhere, and everything is changing our industry production and operation mode.

Hefei Taihe Optoelectronic Technology Co., Ltd. was established at the end of 2004 and formally logged in the main board of Shanghai Stock Exchange in March 2017, specializing in the research and development, production, marketing, installation and technical service of artificial intelligence, control technology and robot system. As a national high-tech enterprise, a provincial key software enterprise, an innovative pilot enterprise and one of the top 100 private import-export enterprises in Anhui Province, our Company has also been listed in the top 20 software enterprises in Anhui province for many consecutive years. The company has had hundreds of millions of annual output value.

After more than 10 years of development, our Company has grown into a successful manufacturer of intelligent sorting equipment, industrial robots and complete equipment based on high speed and high resolution CCD technology, which are produced in large scale, of plenty varieties and applied in a wide range of fields. These intelligent products include both the agricultural intelligent sorting equipment for rice, grain and tea, and industrial intelligent sorting equipment for plastics and industrial salt, as well as the robot palletizer and stamper, AGV, Automated Storage And Retrieval System, smart equipment product and so forth. With good performance, Taiho's products have spread all over the country and exported to Asia, North America, Europe,

Africa and Oceania, among others.

Our company is operated first and foremost by science and technology, with a research and development technical team of over one hundred professionals, including over thirty persons who have the higher degrees of doctorate, master and equivalents. The Company has established city level and provincial level engineering technology center and provincial level post-doctoral scientific research station, enterprise research and development center, has been successively assessed as city level and provincial level enterprise technical center, industrial design center, and has assumed 2 national scientific and technological innovation funds one after another, 1 industrialization project under the National Torch Plan and 1 technology transfer project in Anhui Province, and owned 1 provincial scientific and technological achievement, 6 provincial high-tech technological products, over 100 proprietary intellectual property rights, such as patent, software copyright, etc.

"Innovate and serve the world". We will remain steadfast in our goal and endeavor to constantly explore and develop the research, application and promotion of intelligent sorting equipment, industrial robots and complete equipment.



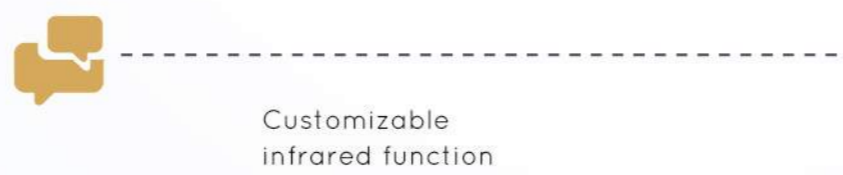
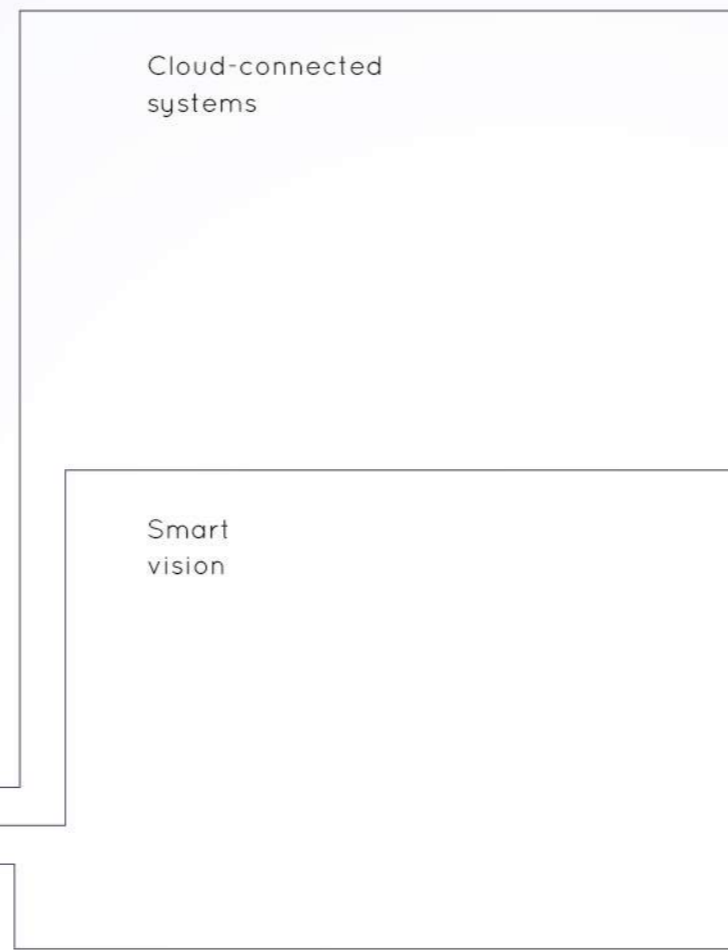
INNOVATE
AND
SERVE
THE
WORLD



<ul style="list-style-type: none"> ● Laser cutting machines (Germany) 	<ul style="list-style-type: none"> ● Paint production lines 	<ul style="list-style-type: none"> ● Surface mount systems (Japan) 	<ul style="list-style-type: none"> ● CMM (Japan)
<ul style="list-style-type: none"> ● Processing centers 	<ul style="list-style-type: none"> ● Bending Machines 		<ul style="list-style-type: none"> ● CNC Punches (Germany)

<ul style="list-style-type: none"> ● At 9:30am on March 21, 2017, Hefei Taiho Optoelectronic Technology Co., Ltd. was officially listed in the main board of Shanghai Stock Exchange. 	<ul style="list-style-type: none"> ● TAIHO full view (high angle shot) 	<ul style="list-style-type: none"> ● TAIHO full view (high angle shot)
<ul style="list-style-type: none"> ● TAIHO Some factory buildings 	<ul style="list-style-type: none"> ● TAIHO Research & development office 	<ul style="list-style-type: none"> ● TAIHO VIP video room

PRODUCT TECHNICAL CHARACTERISTICS



- 
NO.01 JARVIS system
- 
NO.02 Wise brain wisdom control screen
- 
NO.03 Self-collaborative sensor network
- 
NO.01 Holographic flash camera
- 
NO.02 Multi-dimension space center positioning
- 
NO.03 Multiple induction self-adaption background
- 
NO.01 Wise brain strategy
- 
NO.02 Magnetic intelligence control pneumatic system
- 
NO.01
- 
NO.02
- 
NO.03

1.Skyeye platform: Mobile end carries wise brain wisdom control screen integrated bridge to reach the goal that the customers can supervise the production, processing and sorting adjustment parameters of equipment at any time and in any place.
 2. High-speed dialogue platform: Mobile end carries customer, service engineer, and color sorter dialogue channel to realize high-speed communication, diagnose equipment faults, achieve perfect solution online, and eliminate the losses caused by the equipment's shutdown for repair.
 3. Self-optimizing platform: Mobile end carries renewal detecting algorithm to realize one-click version/language renewal iteration so as to bring customers the highest-quality operation control experience.

Wise brain wisdom control screen adopts affinitive texture, with sensitive touch but without drifting, with response time of only 0.1ms and better light transmittance. It can adapt to multi-scene human eye lighting automatic compensation brightness output. It carries black shield technology to effectively prevent scratch and have lightning surge protection. The equipment stability is beyond our imagination.

Adopt military-grade mass information communication system, match dialogue SOC, to improve the transmission rate of more than 4 times, and realize high unity of complete machine information such as material characteristic collection, data analysis and mechanical action, and more precise and accurate elimination.

Provide the HD image of as high as 190 million pixel, match loop self-healing lens to realize 360° perfect panorama reappearance of material, and more precise and clearer quantum-level recognition.

Integrate with light spectrum, mass spectrum, color and shape multi-dimension space data to realize accurate collection of quantum-level original characteristics of material. Wisdom refactoring material model places the characteristics of bad material in the material center, and matches accurate pneumatic system to realize the center positioning elimination. The ratio of color separation mass is close to "0".

Light source background integrating with full spectrum technology, flexible switch among more than 16 million colors, adjust background color according to the different wisdom compensation brightness output of the material to be sorted in real time to guarantee the best scanning of holographic flash camera.

Wise brain strategy memorizes the customer's daily sorting scene data and deeply deduces, really recovers customer's sorting psychological prototype, optimizes and achieves super profit sorting solution. Realize one-key start of the equipment wisdom sorting without manual intervention.

Belong to exclusive European standard configuration in the industry, make use of magnetic coupling principle to realize soft contact of function accessories. The service life reaches as long as 12 billion times. It matches the equipment throughout its life. Have wisdom airflow control, accurate air flow and better ratio of color separation mass.

Multi-dimension space center positioning algorithm integrates with visible and dual infrared spectral data to realize accurate elimination and get the better.

Original dual infrared technology can discover malignant impurities easily.

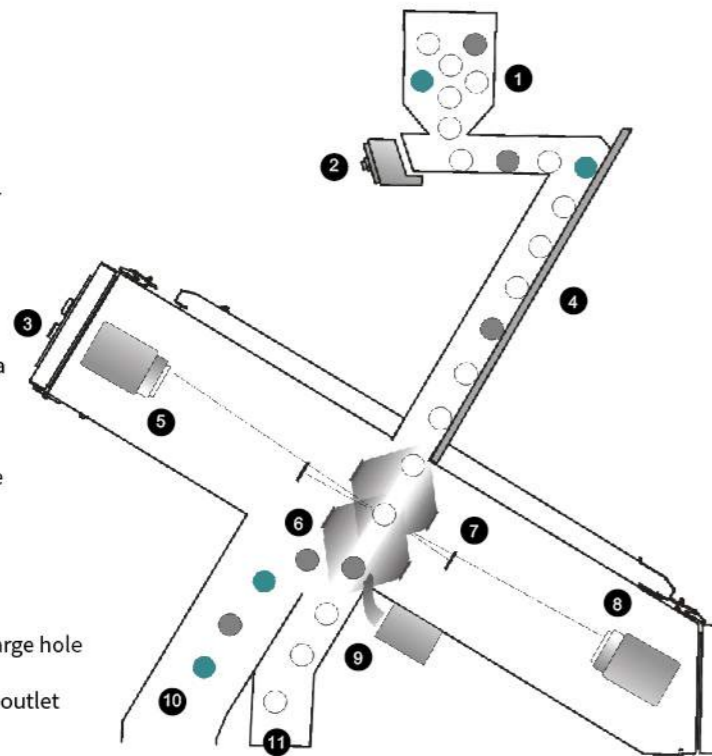
360° holographic scan imaging makes the horizon clearer and the recognition more precise.

INTELLIGENT SDC SERIES COLOR SORTER

- ✔ Global Internet • Mobile Control
- ✔ Real-time Monitoring • Service Upgrading

SCHEMATIC DIAGRAM

- 01 Feed hopper
- 02 Oscillating feeder
- 03 Power switch
- 04 Trough
- 05 Front CCD camera
- 06 Foreground light
- 07 Background plate
- 08 Rear CCD camera
- 09 Ejector system
- 10 Secondary discharge hole
- 11 Finished product outlet



APP Smart Internet Global Leading Technology

Global internet, mobile control: Connect machine to mobile terminals (mobile phone, ipad, etc.) by wifi, 4G or wired mode to see real-time machine status and debugging parameters, and make operation simpler, flexible and efficient.

Real-time monitoring, service upgrading: Dedicated staff, rapid response; upgrade system continuously, perfect functions and optimize customer experience.

European Standard
Configuration

Descriptions:
1. The above color sorting performance takes about 2% wheat as example. Specific indicator will change with different materials and impurities.
2. The product is updated without further notice, but the fact of machine will prevail.



INNOVATE
AND
SERVE
THE
WORLD

Configuration
upgraded,
ultra capacity

PRODUCT SPECIFICATIONS

MODEL	SIZE(mm)	POWER(kw)	OUTPUT(t/h)	WEIGHT(kg)	POWER INPUT
6SXZ-441SDC	2850*1520*2100	4.4	3.0-9.0	1360	-220V/50HZ
6SXZ-504SDC	3160*1520*2100	5.0	3.5-10.00	1620	-220V/50HZ
6SXZ-630SDC	3790*1520*2100	6.2	4.0-11.00	1910	-220V/50HZ

ZERVI SERIES COLOR SORTER

Uncommon Horizon: Independently researched and developed enhanced light source, low temperature-rise, high brightness and longer life.

Outstanding Stature: Wholly new structure design of complete machine, larger output and more accurate elimination.

Wisdom output
concurrent,
leading sorting
reform



PRODUCT SPECIFICATIONS

MODEL	SIZE(mm)	POWER(kw)	OUTPUT(t/h)	WEIGHT(kg)	POWER INPUT
6SXZ-126S	1244*1504*2090	1.5	0.5-4.0	614	-220V/50HZ
6SXZ-189S	1558*1504*2090	2.2	1.0-5.0	789	-220V/50HZ
6SXZ-252S	1872*1504*2090	2.9	1.5-6.0	834	-220V/50HZ
6SXZ-315S	2186*1504*2090	3.6	2.0-7.0	1052	-220V/50HZ
6SXZ-378S	2500*1504*2090	4.3	2.5-8.0	1265	-220V/50HZ
6SXZ-441S	2814*1504*2090	4.9	3.0-9.0	1457	-220V/50HZ
6SXZ-504S	3128*1504*2090	5.6	3.5-10.0	1637	-220V/50HZ
6SXZ-630S	3756*1504*2090	7.0	4.0-11.0	2018	-220V/50HZ

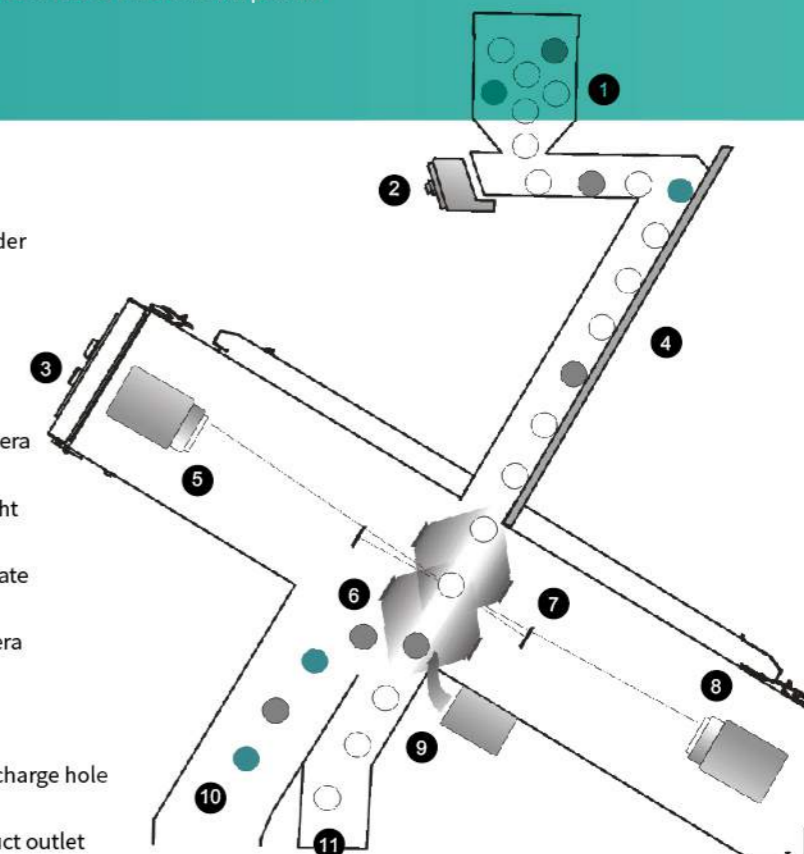
Descriptions:

1. The above color sorting performance takes about 2% wheat as example. Specific indicator will change with different materials and impurities.
2. The product is updated without further notice, but the fact of machine will prevail.

SCHEMATIC DIAGRAM

INNOVATE
AND
SERVE
THE
WORLD

- 01 Feed hopper
- 02 Oscillating feeder
- 03 Power switch
- 04 Trough
- 05 Front CCD camera
- 06 Foreground light
- 07 Background plate
- 08 Rear CCD camera
- 09 Ejector system
- 10 Secondary discharge hole
- 11 Finished product outlet



DC SERIES COLOR SORTER

Intelligent
algorithm,
efficient
and steady



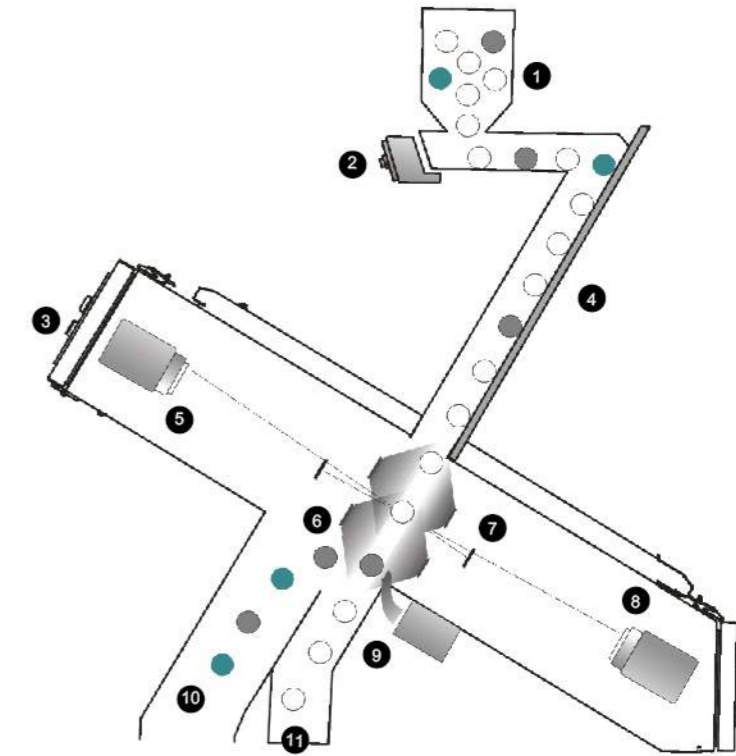
DC SERIES

GRAIN COLOR

SORTER

SCHEMATIC DIAGRAM

- 01 Feed hopper
- 02 Oscillating feeder
- 03 Power switch
- 04 Trough
- 05 Front CCD camera
- 06 Foreground light
- 07 Background plate
- 08 Rear CCD camera
- 09 Ejector system
- 10 Secondary discharge hole
- 11 Finished product outlet



INNOVATE
AND
SERVE
THE
WORLD

PRODUCT SPECIFICATIONS

MODEL (63channel)	SIZE(mm)	POWER(kw)	OUTPUT(t/h) (wheat)	POWER INPUT	WEIGHT(kg)
6SXZ-315DC	2230*1520*2100	3.3	2.0-7.0	-220V/50HZ	1070
6SXZ-378DC	2540*1520*2100	3.8	2.5-8.0	-220V/50HZ	1230
6SXZ-441DC	2850*1520*2100	4.4	3.0-9.0	-220V/50HZ	1360
6SXZ-504DC	3160*1520*2100	5.0	3.5-10.0	-220V/50HZ	1620
6SXZ-630DC	3790*1520*2100	6.2	4.0-11.0	-220V/50HZ	1910

MODEL (42channel)	SIZE(mm)	POWER(kw)	OUTPUT(t/h) (peanut)	POWER INPUT	WEIGHT(kg)
6SXZ-210DC	2230*1520*2100	3.3	2.0-6.0	-220V/50HZ	1070
6SXZ-252DC	2540*1520*2100	3.8	2.5-7.0	-220V/50HZ	1230
6SXZ-294DC	2850*1520*2100	4.4	3.0-8.0	-220V/50HZ	1360
6SXZ-336DC	3160*1520*2100	5.0	3.5-9.0	-220V/50HZ	1620
6SXZ-420DC	3790*1520*2100	6.2	4.0-10.0	-220V/50HZ	1910

Descriptions:

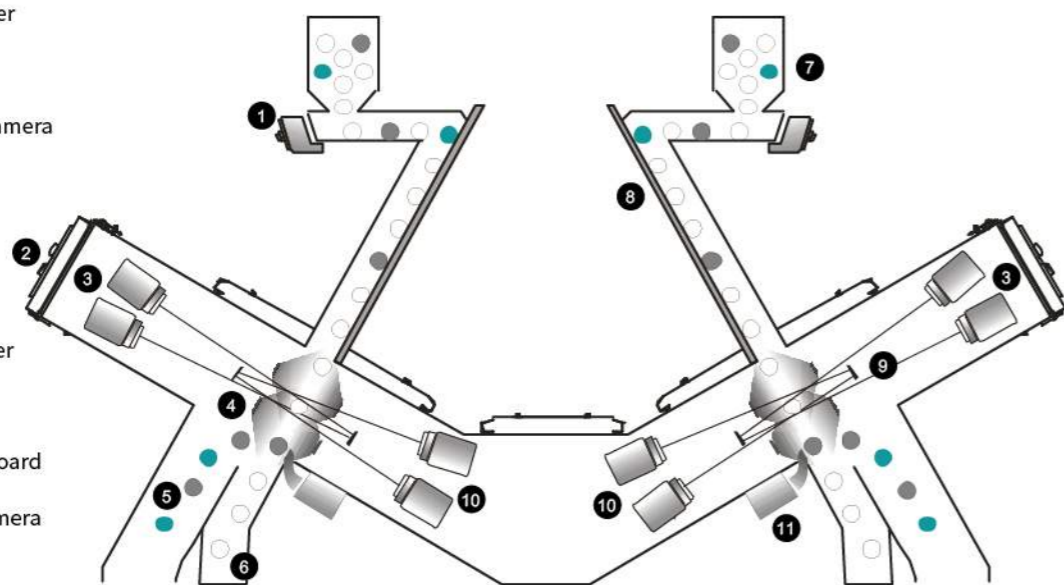
1. The above color sorting performance takes about 2% wheat and peanut as example. Specific indicator will change with different materials and impurities.
2. The product is updated without further notice, but the fact of machine will prevail.

DC SERIES COLOR SORTER

- Front and rear view of single channel have 4 visible cameras. Compared with single camera, it can collect more signals, reduce the possibility of leakage and further improve the sorting accuracy of materials.
- The machine adopts RGB tricolor background plate to improve 6% sorting accuracy of materials and reduce 8% ratio of color separation mass.
- The multi-camera scheme increases the material defect collection angle, and also makes use of integral phase difference between cameras to reach high-precision sorting.

SCHEMATIC DIAGRAM

- 01 Vibrating feeder
- 02 Power on/off
- 03 Front upper camera
- 04 Front light
- 05 Rejection
- 06 Acception
- 07 Feeding hopper
- 08 Chute
- 09 Background board
- 10 Rear lower camera
- 11 Ejector



Multi-dimension,
multi-view, free
shape and
color



INNOVATE AND
SERVE THE WORLD

MULTI VIEW

GRAIN COLOR

SORTER

PRODUCT SPECIFICATIONS

MODEL	SIZE (mm)	WEIGHT (t)	OUTPUT (t/h)	POWER (kw)	POWER INPUT
6SXZ-504DC+	3128*1500*1980	1.62	8.0-10.0	5.5	-220V/50HZ
6SXZ-630DC+	3758*1500*1980	1.99	10.0-12.0	6.0	-220V/50HZ
6SXZ-756DC+	2540*2780*1980	2.32	12.0-14.5	9.0	-220V/50HZ
6SXZ-1008DC+	3169*2780*1980	3.02	16.0-20.0	13.0	-220V/50HZ

Descriptions:

1. The above color sorting performance takes about 2% beans as example. Specific indicator will change with different materials and impurities.
2. The product is updated without further notice, but the fact of machine will prevail.

INFRARED FUNCTION (Optional)



Multi-dimension space center positioning algorithm integrates with visible and dual infrared spectral data to realize accurate elimination and get the better.



Original dual infrared technology can discover malignant impurities easily.



360° holographic scan imaging makes the horizon clearer and the recognition more precise.

INNOVATE
AND
SERVE
THE
WORLD

CONFIGURATION COMPARISON TABLE

		SDC Series	ZERVI Series	DC Series
Intelligent sorting		Wise brain strategy sorting	Wise brain strategy sorting	Expert level sorting
Display screen		Wise brain wisdom control screen	Wise brain wisdom control screen	HD sensitive touch screen
Intelligent positioning algorithm		Multi-dimension space center positioning	Multi-dimension space center positioning	Artificial intelligence
JARVIS system		●	●	—
Global internet		—	—	●
Material level measurement and monitor		●	●	—
Feeding system	Vibrator	High-frequency high-speed vibrator	High-frequency high-speed vibrator	●
	Material level sensor	●	●	—
Camera		Holographic flash camera	Holographic flash camera	HD camera
CCD sensor		190 million pixel	190 million pixel	190 million pixel
Lens		Loop self-healing lens	Loop self-healing lens	HD lens
Recognition system	Illuminating system	Imported customized spotlight low temperature rise illuminating LED system	Customized spotlight low temperature rise illuminating LED system	Customized low temperature rise illuminating LED system
	Infrared source	—	Optional	Optional
	Processing chip	Several dialogues SOC	Several dialogues SOC	SOC
	Communication system	Military-grade mass information communication system	Military-grade mass information communication system	Automobile-level communication system
Panoramic imaging		●	●	—
Background plate		Multiple induction self-adaption background plate	Multiple induction self-adaption background plate	Flexible mixed color background plate
Elimination system	Ejector	Imported customized European standard magnetic intelligence control pneumatic system, service life reaches as long as 12 billion times	Customized magnetic intelligence control pneumatic system, service life reaches as long as 10 billion times	Customized magnetic intelligence control pneumatic system, service life reaches as long as 10 billion times
	Rodless cylinder			
	Filter			

MV SERIES COLOR SORTER FOR LARGE PARTICAL MATERIAL

INNOVATE
AND
SERVE
THE
WORLD

NO.01

The 360° multi-dimensional imaging and multimodal structure applies multi-cameras and multi-visual angles that directly expose defects and foreign matters.

NO.02

The new smart control vibration feeder has even feeding process and stable performance with high and good output capability.

NO.03

The new automatic industrial mechanical structure can effectively weaken the influence of dust and optimize machine construction, simplifying the process of cleaning and maintenance.

NO.04

The advanced professional image-level lens technology heightens the illumination intensity by more than three times, optimizes the collection of material pictures and highlights the sorting effects.

NO.05

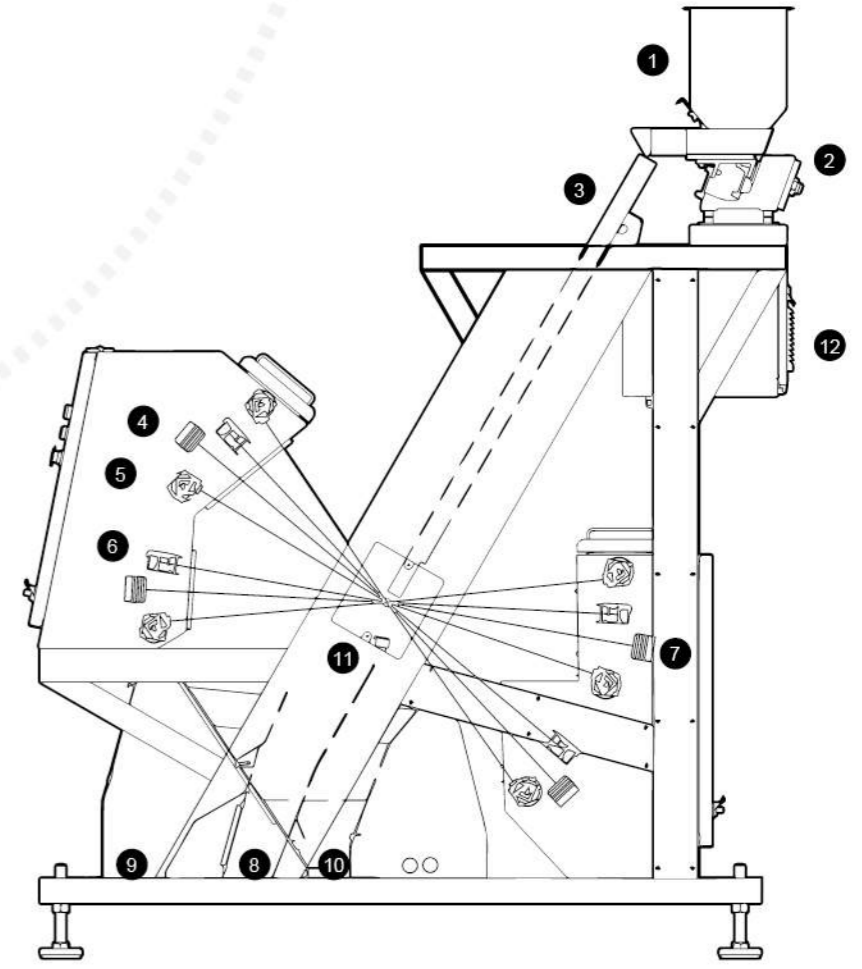
The optimized multi-dimensional intelligent sorting system increases the width to accommodate materials in larger diameter (20-80mm) in sorting and is intended for the sorting application of materials in larger diameter with stable and high-quality performance.

Multiple optical drive, more precise



SCHEMATIC DIAGRAM

- 01 Feeding hopper
- 02 Vibrating feeder
- 03 Chute
- 04 Front camera
- 05 Front light
- 06 Background light
- 07 Rear light
- 08 Accept
- 09 Rejection
- 10 Collecting bin
- 11 Ejector system
- 12 Electrical cabinet



PRODUCT SPECIFICATIONS

MODEL	SIZE (mm)	WEIGHT (t)	OUTPUT (t/h)	POWER (kw)	POWER INPUT
6SXZ-126MV	1581*1852*2260	1.0	0.6-1.0	1.1	-220V/50HZ
6SXZ-252MV	2209*1852*2260	1.4	1.2-2.0	1.8	-220V/50HZ
6SXZ-378MV	2837*1852*2260	1.8	1.8-3.0	2.5	-220V/50HZ

Descriptions:

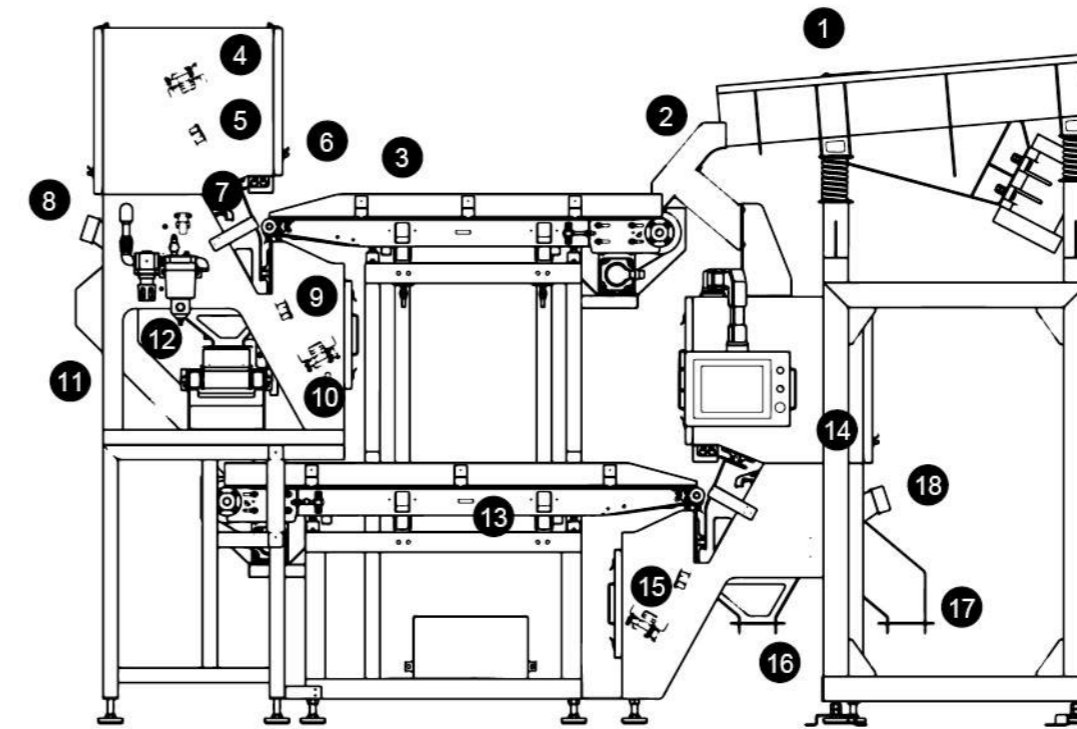
1. The above color sorting performance takes about 2% cashew as example. Specific indicator will change with different materials and impurities.
2. The product is updated without further notice, but the fact of machine will prevail.

L SERIES BELT-TYPE COLOR SORTER



Stable conveying, high efficiency

SCHEMATIC DIAGRAM



- 01 Feeding device
- 02 Chute
- 03 Upper conveyor
- 04 Upper camera
- 05 Background light
- 06 Upper light
- 07 Ejector
- 08 Cleaning
- 09 Lower light
- 10 Lower camera
- 11 Upper accept
- 12 Upper carryover
- 13 Lower conveyor
- 14 Display
- 15 Glass cleaning device
- 16 Lower carryover
- 17 Final accept
- 18 Ash sucking device

INNOVATE
AND
SERVE
THE
WORLD

PRODUCT SPECIFICATIONS

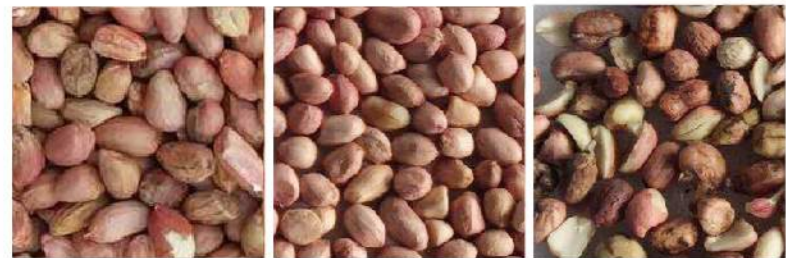
MODEL	SIZE(mm)	WEIGHT(t)	POWER(kw)	OUTPUT(t/h)	POWER INPUT
6SXL-300E	3500*1100*2000	0.76	1.5	0.3-0.5	-220V/50HZ
6SXL-600E	3500*1500*2000	0.97	1.8	0.5-1.0	-220V/50HZ
6SXL-1200E	3500*2150*2000	1.38	3.0	1.0-2.0	-220V/50HZ
6SXL-1200 II +	4000*2550*2850	3.17	6.5	1.0-2.5	-220V/50HZ
6SXL-1200+	3500*2300*2300	1.31	3.0	1.0-2.5	-220V/50HZ
6SXL-600H	3500*1500*2050	0.98	2.0	0.5-1.0	-220V/50HZ

Descriptions:

1. The above color sorting performance takes about 2% quartz sand as example. Specific indicator will change with different materials and impurities.
2. The product is updated without further notice, but the fact of machine will prevail.

COLOR SELECTED EXAMPLES SHOW

Peanuts



Raw material After sorting Rejection

Corn



Raw material After sorting Rejection

Chinese wolfberry



Raw material After sorting Rejection

Sunflower seeds



Raw material After sorting Rejection

Fava beans slices



Raw material After sorting Rejection

Red bean



Raw material After sorting Rejection

Small beans



Raw material After sorting Rejection

Soybean



Raw material After sorting Rejection

Light speckled kidney bean



Raw material After sorting Rejection

Purple flower bean



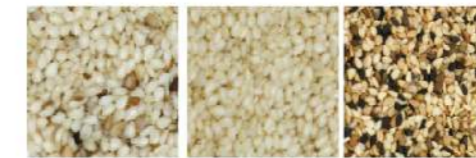
Raw material After sorting Rejection

Peeling peanuts



Raw material After sorting Rejection

Peeling sesame



Raw material After sorting Rejection

Wheat



Raw material After sorting Rejection

Sesame



Raw material After sorting Rejection

Coffee beans



After sorting Rejection

Cashew



After sorting Rejection

Pumpkin seed kernel



After sorting Rejection

Green mung bean



Raw material After sorting Rejection

Almond



After sorting Rejection

Peeling garlic



After sorting Rejection

Dehydrated Onions



After sorting Rejection

CLIENT APPLICATION CASES

In China,
our sales network has covered over 30 provinces and autonomous regions such as Anhui, Henan, Shandong etc.
In the world,
our sales network has extended to nearly 50 countries and regions, such as Asia, North America, Europe, Latin America, Australia, Africa, the Middle East.

In the overseas



In China

在中国



INNOVATE
AND
SERVE
THE
WORLD



Adhering to the "customer-priority" guiding principle, our Company encourages all employees to pay constant attention to customer needs, striving to provide customers at home and abroad with satisfactory service solutions.

Our Company has more than ninety after-sales service staff, with service penetrating to prefecture-level cities to directly touch customers, and provide customers with timely, quick and thoughtful service within 24 hours.

By virtue of machine maintenance and repair free of charge for one year, and prompt provision of professional trainings and technical instructions to tackle customer's concerns, this service mode is indeed an embodiment of rapid response, timely maintenance and follow-up coordination.

Commitment for service: machine maintenance and repair free of charge for one year, 24 hours door to door fast response, 7x24 hour consultation service, user filing for follow-up services.

AFTER-SALES SERVICE

- 24-hour Door-to-door Fast Response

- One-year free warranty

- free consultation service 7*24 hours

- Establish user files, implement tracking services



**We Are Everywhere In China;
We Are Everywhere In The World**

INNOVATE
AND
SERVE
THE
WORLD